



POLICON
Engineering & Manufacturing

Body of depositor machine



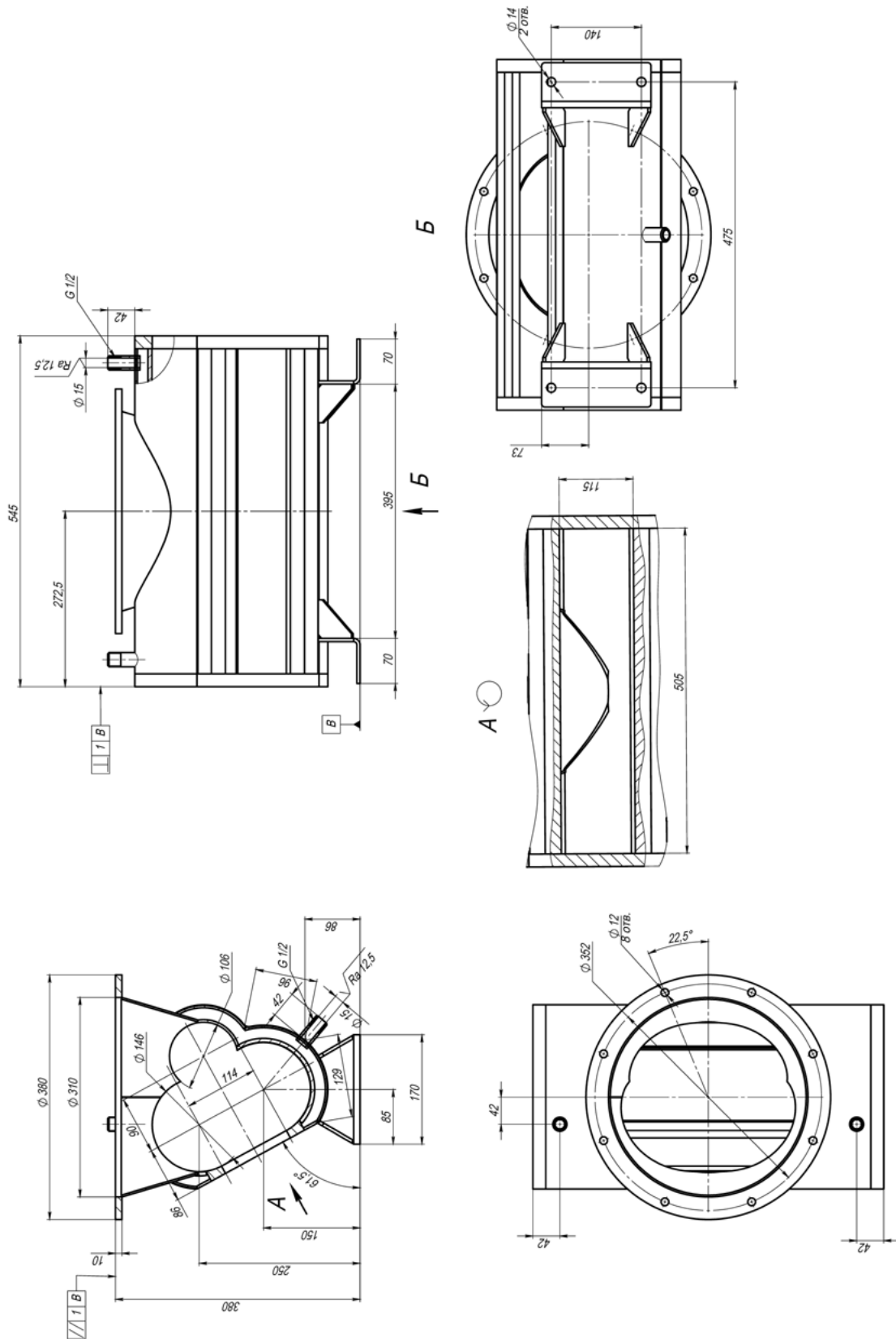
Description:

The body of depositor machine is part of the depositor machine and is designed for processing (landing) confectionery masses.

The body of depositor machine is a welded structure in the form of a hopper with connecting flanges, on horizontal supports.

The body of the depositor machine is made of stainless food-grade steel.

Body of depositor machine





Technical Specification:

Overall dimensions, mm, no more:

length 545

width 380

height 380

Weight, kg 38

This product can be manufactured according to the technical specifications of the customer, taking into account its predetermined parameters and features.

Food Machinery

Machinery for tires, rubber, plastics manufacturing

Modernization and automation of production

Non-standart equipment

Production of spare parts, components, assemblies

**Outsourcing services - repair and maintenance of
equipment**

Global engineering solutions



Policon JSCo

194 Lermontov Str, Omsk 644009, Russia

Tel./Fax: +7 (3812) 36 74 12, 36 74 02, 48 48 30

e-mail: info@policon-rt.ru

www.policon-rt.ru